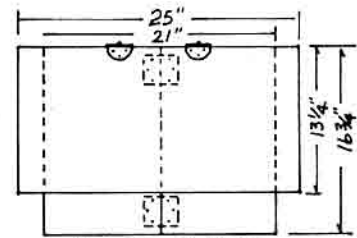
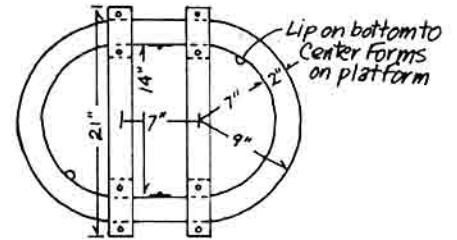
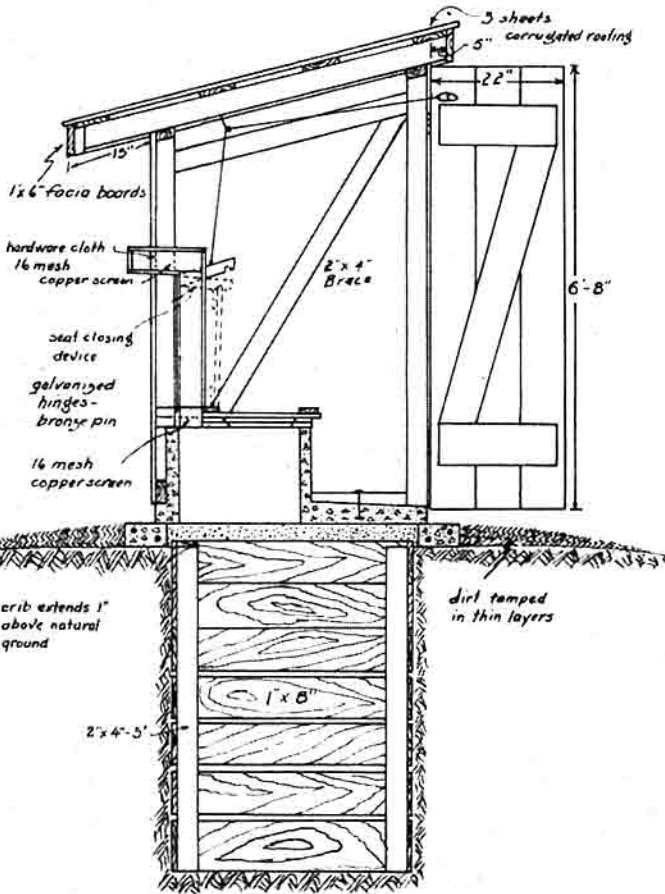


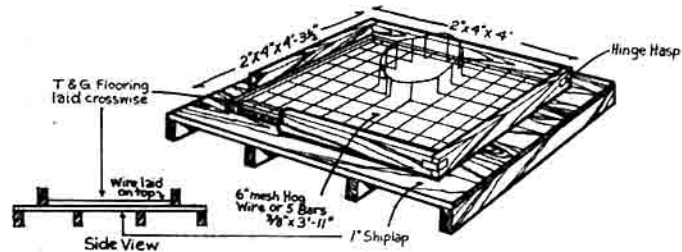


MOTHER EARTH NEWS.COM

The Original Guide to Living Wisely



10-Removable pin hinges required / 10 or 12 GUAGE
RISER FORM



Forms for Casting Concrete Slabs
(Riser Forms placed on top)