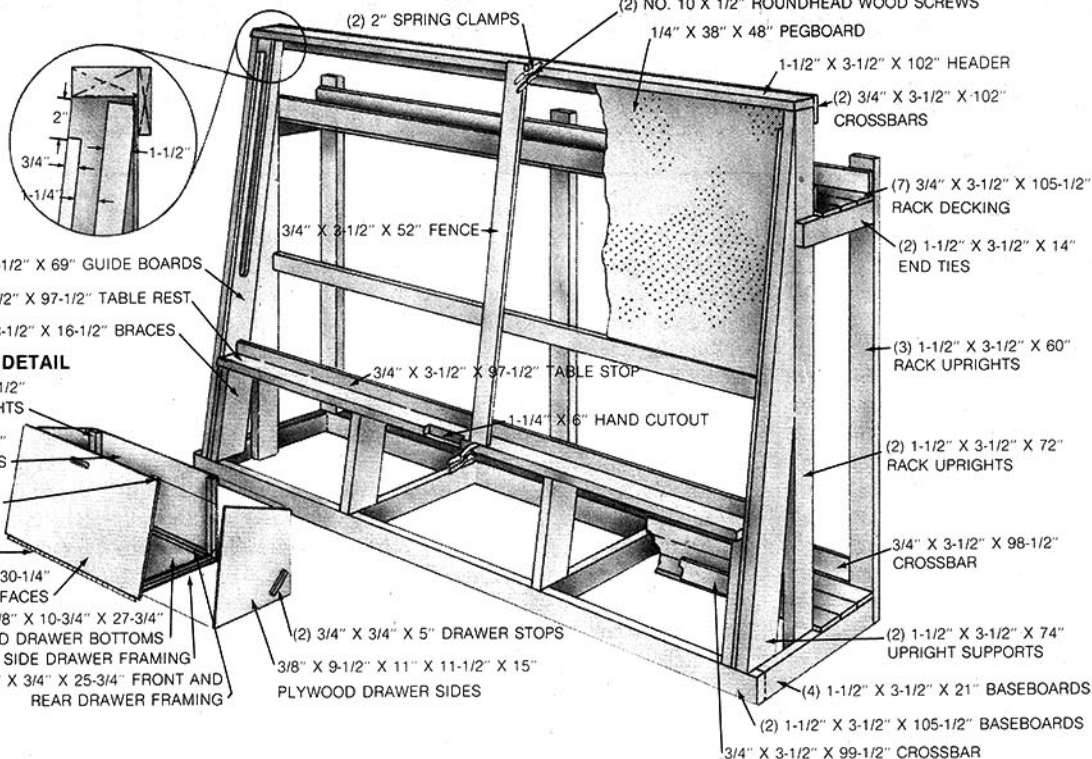


FRAME DETAIL



DRAWER DETAIL

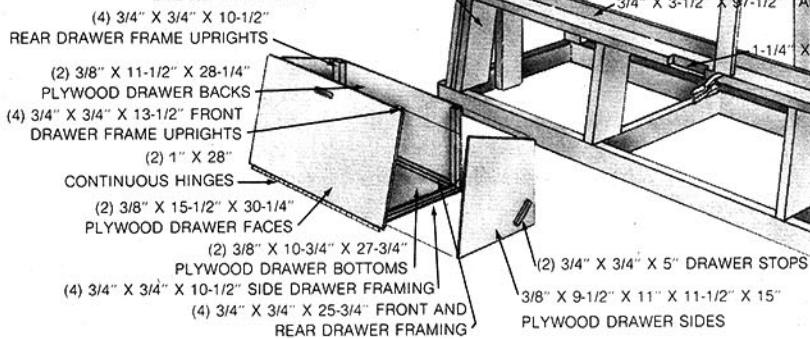
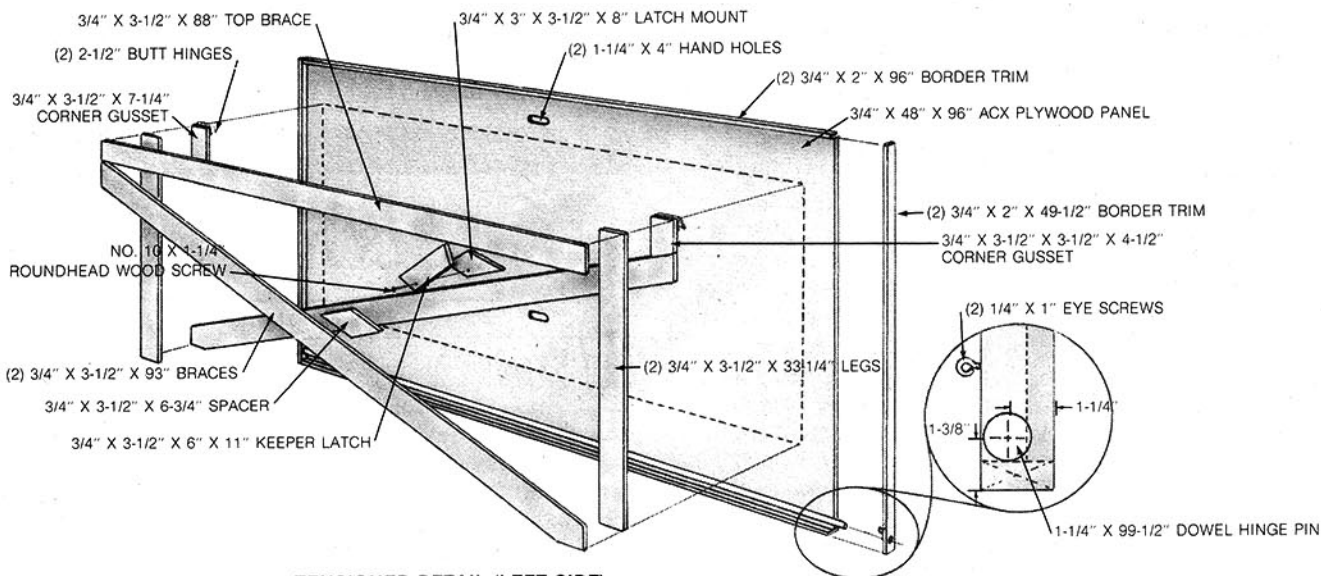
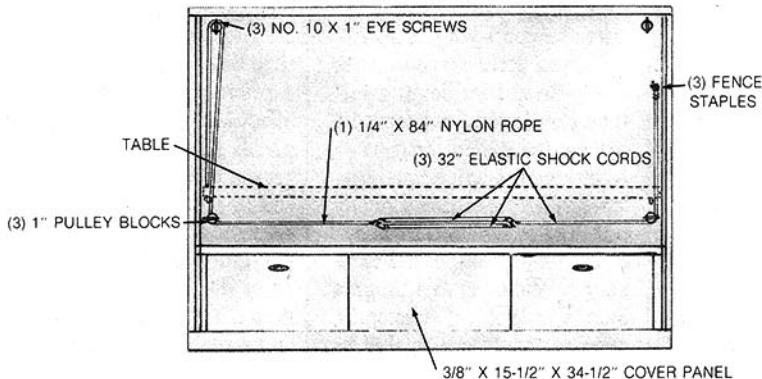


TABLE DETAIL



TENSIONER DETAIL (LEFT SIDE)



NOT SHOWN

- (2) 3/4" X 3-1/2" X 10-1/2" CENTER TIES
- 1/4" X 38" X 51" PEGBOARD
- 8-PENNY COMMON NAILS
- 2-PENNY BOX NAILS
- 4-PENNY COMMON NAILS

NOTE: Drawing shows tensioner layout and required hardware for left side only. An identical tensioner setup must be installed also on the right side . . . so when you're buying hardware for this project, be sure to double the quantities of parts shown in the tensioner detail.