

The diagram below shows the primary combustion chamber (bottom half), water radiators (top half) and the flow of air between them

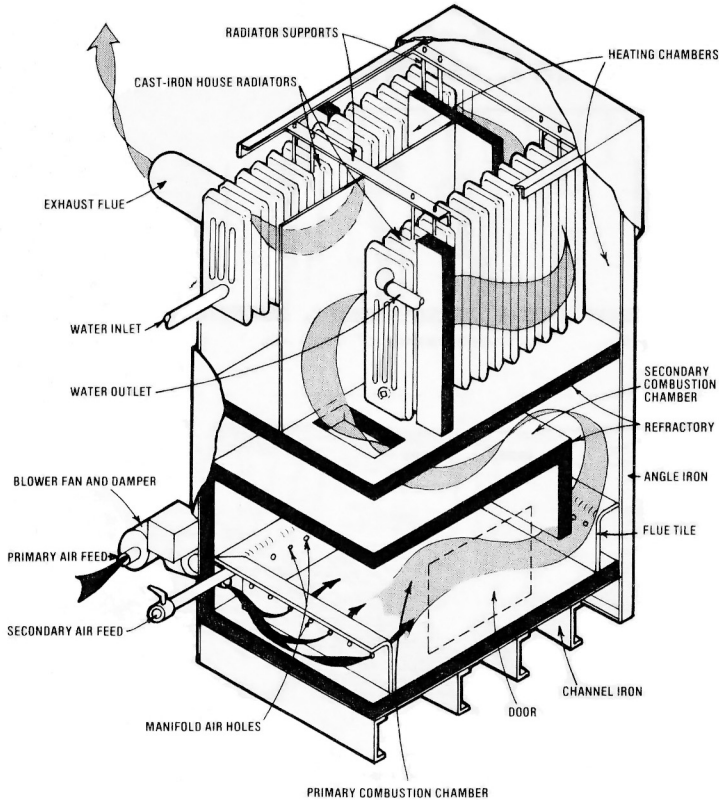


Diagram shows a closer view of the water radiators, including physical dimensions.

FURNACE

